



SiFive S21 Manual
v19.08p2p0

© SiFive, Inc.

SiFive S21 Manual

Proprietary Notice

Copyright © 2019, SiFive Inc. All rights reserved.

Information in this document is provided “as is,” with all faults.

SiFive expressly disclaims all warranties, representations, and conditions of any kind, whether express or implied, including, but not limited to, the implied warranties or conditions of merchantability, fitness for a particular purpose and non-infringement.

SiFive does not assume any liability rising out of the application or use of any product or circuit, and specifically disclaims any and all liability, including without limitation indirect, incidental, special, exemplary, or consequential damages.

SiFive reserves the right to make changes without further notice to any products herein.

Release Information

Version	Date	Changes
v19.08p2p0	December 06, 2019	<ul style="list-style-type: none">Fixed erratum in which the TDO pin may remain driven after reset
v19.08p1p0	November 08, 2019	<ul style="list-style-type: none">Corrected issues which caused some 2-series cores to be larger than prior releasesFixed erratum in which Debug.SBCS had incorrect reset value for SBACCESSFixed typos and other minor documentation errors
v19.08p0	September 17, 2019	<ul style="list-style-type: none">The Debug Module memory region is no longer accessible in M-mode
v19.05p2	August 26, 2019	<ul style="list-style-type: none">Fix for errata on S2-series cores in which memory/MMIO operations had no guaranteed order
v19.05p1	July 22, 2019	<ul style="list-style-type: none">SiFive Insight is enabledEnable debugger reads of Debug Module registers when periphery is in resetFix errata to get illegal instruction exception executing DRET outside of debug mode
v19.05	May 31, 2019	<ul style="list-style-type: none">Initial release

Contents

1	Introduction	4
1.1	S21 Overview	4
1.2	Debug Support	5
1.3	Interrupts	5
1.4	Tightly-Integrated Memory	6
2	List of Abbreviations and Terms	7
3	S2 RISC-V Core	9
3.1	Instruction-Fetch Unit	9
3.2	Execution Pipeline	9
3.3	Data Memory System	10
3.4	Supported Modes	10
3.5	Physical Memory Protection (PMP).....	10
3.5.1	Functional Description	11
3.5.2	Region Locking	11
3.6	Hardware Performance Monitor.....	11
4	Memory Map	13
5	Interrupts	14
5.1	Interrupt Concepts	14
5.2	Interrupt Operation	15
5.2.1	Interrupt Entry and Exit	15
5.2.2	Interrupt Levels and Priorities	16
5.2.3	Critical Sections in Interrupt Handlers.....	16
5.3	Interrupt Control Status Registers.....	17
5.3.1	Machine Status Register (mstatus)	17
5.3.2	Machine Trap Vector (mtvec).....	17

	2
5.3.3	Machine Interrupt Enable (mie) 19
5.3.4	Machine Interrupt Pending (mip) 20
5.3.5	Machine Cause (mcause) 20
5.3.6	Machine Trap Vector Table (mtvt) 22
5.3.7	Handler Address and Interrupt-Enable (mnxti) 22
5.3.8	Machine Interrupt Status (mintstatus) 23
5.4	Interrupt Latency 23
6	Core-Local Interrupt Controller (CLIC) 24
6.1	Interrupt Sources 24
6.2	CLIC Memory Map 25
6.3	Registers 25
6.3.1	CLIC Interrupt Pending (clicintip) 26
6.3.2	CLIC Interrupt Enable (clicintie) 26
6.3.3	CLIC Interrupt Configuration (clicintcfg) 26
6.3.4	CLIC Configuration (cliccfg) 27
7	Debug 29
7.1	Debug CSRs 29
7.1.1	Trace and Debug Register Select (tselect) 29
7.1.2	Trace and Debug Data Registers (tdata1-3) 30
7.1.3	Debug Control and Status Register (dcsr) 31
7.1.4	Debug PC (dpc) 31
7.1.5	Debug Scratch (dscratch) 31
7.2	Breakpoints 31
7.2.1	Breakpoint Match Control Register (mcontrol) 31
7.2.2	Breakpoint Match Address Register (maddress) 33
7.2.3	Breakpoint Execution 33
7.2.4	Sharing Breakpoints Between Debug and Machine Mode 34
7.3	Debug Memory Map 34
7.3.1	Debug RAM and Program Buffer (0x300–0x3FF) 34
7.3.2	Debug ROM (0x800–0xFFF) 34

	3
7.3.3 Debug Flags (0x100–0x110, 0x400–0x7FF)	35
7.3.4 Safe Zero Address	35
7.4 Debug Module Interface	35
7.4.1 DM Registers	35
7.4.2 Abstract Commands	36
8 References	37

Chapter 1

Introduction

SiFive's S21 is a high performance implementation of the RISC-V RV64IMAC architecture. The SiFive S21 is guaranteed to be compatible with all applicable RISC-V standards, and this document should be read together with the official RISC-V user-level, privileged, and external debug architecture specifications.



A summary of features in the S21 can be found in Table 1.

S21 Feature Set	
Feature	Description
Number of Harts	1 Hart.
S2 Core	1× S2 RISC-V core.
Hardware Breakpoints	4 hardware breakpoints.
Physical Memory Protection Unit	PMP with 4 x regions and a minimum granularity of 8 bytes.

Table 1: S21 Feature Set

1.1 S21 Overview

An overview of the SiFive S21 is shown in Figure 1. This RISC-V Core IP includes 1 x 64-bit RISC-V core, including local and global interrupt support, and physical memory protection. The memory system consists of Tightly-Integrated Memory. The S21 also includes a debug unit, one incoming Port, and two outgoing Ports.

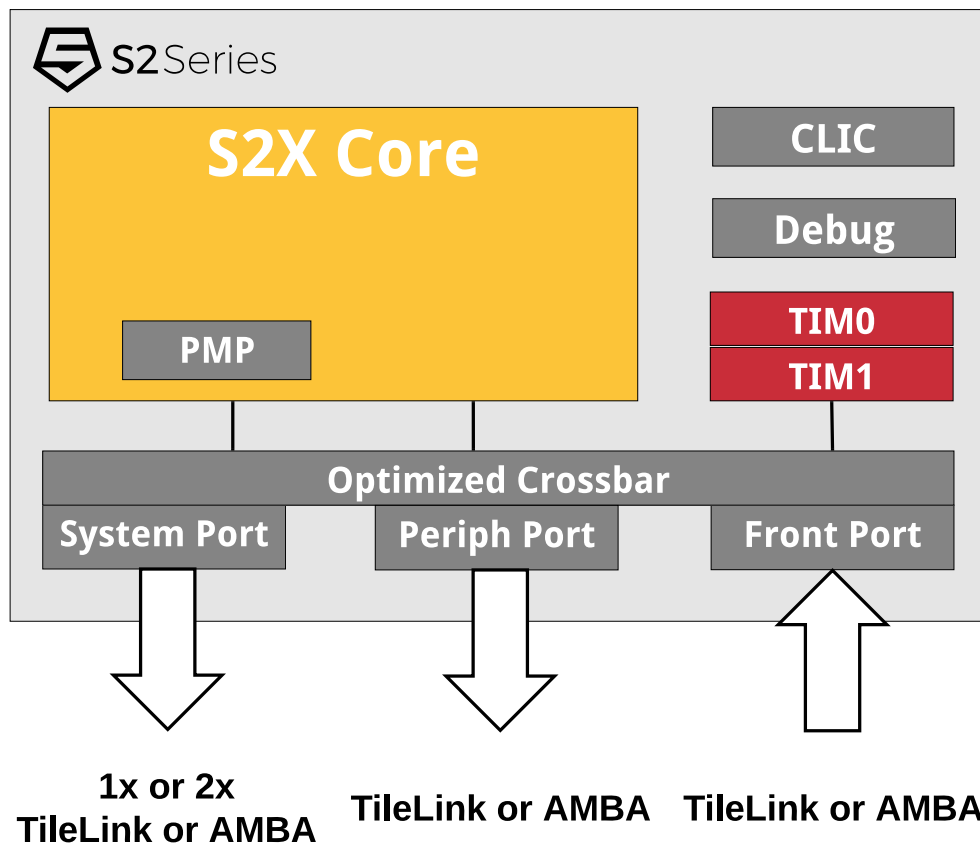


Figure 1: S21 Block Diagram

The S21 memory map is detailed in Chapter 4, and the interfaces are described in full in the S21 User Guide.

1.2 Debug Support

The S21 provides external debugger support over an industry-standard JTAG port, including 4 hardware-programmable breakpoints per hart.

Debug support is described in detail in Chapter 7, and the debug interface is described in the S21 User Guide.

1.3 Interrupts

The S21 supports 127 core local interrupts in addition to the RISC-V architecturally defined software, timer, and external interrupts. The core local interrupt controller (CLIC) is used to set interrupt levels and priorities and can support up to 16 interrupt levels.

Interrupts are described in Chapter 5. The CLIC is described in Chapter 6.

1.4 Tightly-Integrated Memory

The S21 has 64 KiB of Tightly-Integrated Memory (TIM) split evenly over two contiguous banks (TIM 1 and TIM 0). Having split TIMs allows for simultaneous access to both banks. When executing code solely from TIM address space, for maximum performance, it is recommended to place code in one TIM and data in the other. If executing code from an off core complex memory device, such as a(n) AXI4 flash controller, the TIMs can be treated as a single contiguous address space.

The address of the Tightly-Integrated Memory is defined in the Memory Map in Chapter 4.

Chapter 2

List of Abbreviations and Terms

Term	Definition
BHT	Branch History Table
BTB	Branch Target Buffer
RAS	Return-Address Stack
CLINT	Core-Local Interruptor. Generates per-hart software interrupts and timer interrupts.
CLIC	Core-Local Interrupt Controller. Configures priorities and levels for core local interrupts.
hart	HARdware Thread
DTIM	Data Tightly Integrated Memory
IJTP	Indirect-Jump Target Predictor
ITIM	Instruction Tightly Integrated Memory
JTAG	Joint Test Action Group
LIM	Loosely Integrated Memory. Used to describe memory space delivered in a SiFive Core Complex but not tightly integrated to a CPU core.
PMP	Physical Memory Protection
PLIC	Platform-Level Interrupt Controller. The global interrupt controller in a RISC-V system.
TileLink	A free and open interconnect standard originally developed at UC Berkeley.
RO	Used to describe a Read Only register field.
RW	Used to describe a Read/Write register field.
WO	Used to describe a Write Only registers field.
WARL	Write-Any Read-Legal field. A register field that can be written with any value, but returns only supported values when read.
WIRI	Writes-Ignored, Reads-Ignore field. A read-only register field reserved for future use. Writes to the field are ignored, and reads should ignore the value returned.
WLRL	Write-Legal, Read-Legal field. A register field that should only be written with legal values and that only returns legal value if last written with a legal value.
WPRI	Writes-Preserve Reads-Ignore field. A register field that might contain unknown information. Reads should ignore the value returned, but writes to the whole register should preserve the original value.

Chapter 3

S2 RISC-V Core

This chapter describes the 64-bit S2 RISC-V processor core. The processor core comprises a decoupled instruction-fetch unit and a latency-optimized instruction-execution pipeline.

3.1 Instruction-Fetch Unit

The S2 instruction-fetch unit issues TileLink bus requests to supply instructions to the execution pipeline. When executing straight-line code from an instruction source with single-cycle latency, the instruction-fetch unit can supply instructions at a sustained rate of one per cycle, regardless of instruction alignment.

The instruction-fetch unit issues only aligned 64-bit TileLink requests. If the execution pipeline consumes only part of the 64-bit instruction-fetch parcel, the instruction-fetch unit queues the remainder. Hence, when executing programs comprised mostly of compressed 16-bit instructions, the instruction-fetch unit is often idle, thereby reducing bus occupancy and power consumption.

The instruction-fetch unit always accesses memory sequentially. Conditional branches are predicted not-taken, and not-taken branches incur no penalty. Taken branches and unconditional jumps incur a one-cycle penalty, provided the target is naturally aligned (i.e., if the target is any 16-bit instruction, or is a 32-bit instruction whose address is divisible by 4). Taken branches and unconditional jumps to misaligned targets incur an additional one-cycle penalty.

3.2 Execution Pipeline

The S2 execution unit is a single-issue, in-order pipeline. The pipeline comprises three stages: Instruction Fetch, described in the previous section; Execute; and Writeback.

The pipeline has a peak execution rate of one instruction per clock cycle. Bypass paths are included so that most instructions have a one-cycle result latency. There are some exceptions:

- The number of stall cycles between a load instruction and the use of its result is equal to the number of cycles between the bus request and bus response. In particular, if a load is satisfied the cycle after it is demanded, then there is one stall cycle between the load and its use. In this special case, the stall can be obviated by scheduling an independent instruction between the load and its use.
- Integer division instructions have variable latency of at most 64 cycles. Note that in-flight division operations can be interrupted, so they have no effect on worst-case interrupt latency.

The S2 pipeline operates as follows. In the Execute stage, instructions are decoded and checked for exceptions, and their operands are read from the integer register file. Arithmetic instructions compute their results in this stage, whereas memory-access instructions compute their effective addresses and send their requests to the TileLink bus. Exceptions and interrupts are also detected in this stage: exceptional instructions do not proceed.

In the Writeback stage, instructions write their results to the integer register file. Instructions that reach the Writeback stage but have not yet produced their results will interlock the pipeline. In particular, load and division instructions with result latency greater than one cycle will interlock the pipeline.

3.3 Data Memory System

The S2 processor has a TileLink bus interface used by all loads, stores, and AMOs. Two data memory accesses can be in flight at once.

Store instructions incur no stalls if acknowledged by the TileLink bus on the cycle after they are sent. Otherwise, the pipeline will interlock on the next memory-access instruction until the store is acknowledged.

3.4 Supported Modes

The S2 supports RISC-V user mode, providing two levels of privilege: machine (M) and user (U). U-mode provides a mechanism to isolate application processes from each other and from trusted code running in M-mode.

See *The RISC-V Instruction Set Manual, Volume II: Privileged Architecture, Version 1.10* for more information on the privilege modes.

3.5 Physical Memory Protection (PMP)

The S2 includes a Physical Memory Protection (PMP) unit compliant with *The RISC-V Instruction Set Manual, Volume II: Privileged Architecture, Version 1.10*. PMP can be used to set memory access privileges (read, write, execute) for specified memory regions. The S2 PMP supports 4 regions with a minimum region size of 8 bytes.

This section describes how PMP concepts in the RISC-V architecture apply to the S2. The definitive resource for information about the RISC-V PMP is *The RISC-V Instruction Set Manual, Volume II: Privileged Architecture, Version 1.10*.

3.5.1 Functional Description

The S2 includes a PMP unit, which can be used to restrict access to memory and isolate processes from each other.

The S2 PMP unit has 4 regions and a minimum granularity of 8 bytes. Overlapping regions are permitted. The S2 PMP unit implements the architecturally defined `pmpcfgX` CSR `pmpcfg0` supporting 4 regions. `pmpcfg1`, `pmpcfg2`, and `pmpcfg3` are implemented but hardwired to zero.

The PMP registers may only be programmed in M-mode. Ordinarily, the PMP unit enforces permissions on U-mode accesses. However, locked regions (see Section 3.5.2) additionally enforce their permissions on M-mode.

3.5.2 Region Locking

The PMP allows for region locking whereby, once a region is locked, further writes to the configuration and address registers are ignored. Locked PMP entries may only be unlocked with a system reset. A region may be locked by setting the L bit in the `pmpicfg` register.

In addition to locking the PMP entry, the L bit indicates whether the R/W/X permissions are enforced on M-Mode accesses. When the L bit is clear, the R/W/X permissions apply only to U-mode.

3.6 Hardware Performance Monitor

The S2 processor supports a basic hardware performance monitoring facility compliant with *The RISC-V Instruction Set Manual, Volume II: Privileged Architecture, Version 1.10*. The `mcycle` CSR holds a count of the number of clock cycles the hart has executed since some arbitrary time in the past. The `minstret` CSR holds a count of the number of instructions the hart has retired since some arbitrary time in the past. Both are 64-bit counters.

The hardware performance monitor includes two additional event counters, `mhpmcounter3` and `mhpmcounter4`. The event selector CSRs `mhpmevent3` and `mhpmevent4` are registers that control which event causes the corresponding counter to increment. The `mhpmcounters` are 40-bit counters.

The event selectors are partitioned into two fields, as shown in Table 2: the lower 8 bits select an event class, and the upper bits form a mask of events in that class. The counter increments if the event corresponding to any set mask bit occurs. For example, if `mhpmevent3` is set to `0x4200`, then `mhpmcounter3` will increment when either a load instruction or a conditional branch instruction retires. An event selector of 0 means "count nothing."

Note that in-flight and recently retired instructions may or may not be reflected when reading or writing the performance counters or writing the event selectors.

Machine Hardware Performance Monitor Event Register	
Instruction Commit Events, mhpeventX[7:0] = 0	
Bits	Meaning
8	Exception taken
9	Integer load instruction retired
10	Integer store instruction retired
11	Atomic memory operation retired
12	System instruction retired
13	Integer arithmetic instruction retired
14	Conditional branch retired
15	JAL instruction retired
16	JALR instruction retired
17	Integer multiplication instruction retired
18	Integer division instruction retired
Microarchitectural Events , mhpeventX[7:0] = 1	
Bits	Meaning
8	Load-use interlock
9	Long-latency interlock
10	CSR read interlock
11	Instruction cache/ITIM busy
12	Data cache/DTIM busy
13	Branch direction misprediction
14	Branch/jump target misprediction
15	Pipeline flush from CSR write
16	Pipeline flush from other event
17	Integer multiplication interlock
Memory System Events, mhpeventX[7:0] = 2	
Bits	Meaning
8	Instruction cache miss
9	Memory-mapped I/O access

Table 2: mhpmevent Register Description

Chapter 4

Memory Map

The memory map of the S21 is shown in Table 3.

Base	Top	Attr.	Description
0x0000_0000	0x0000_0FFF	RW X A	Debug
0x0000_1000	0x01FF_FFFF		Reserved
0x0200_0000	0x02FF_FFFF	RW A	CLIC
0x0300_0000	0x1FFF_FFFF		Reserved
0x2000_0000	0x3FFF_FFFF	RW X A	Peripheral Port (512 MiB)
0x4000_0000	0x5FFF_FFFF	RW X	System Port (512 MiB)
0x6000_0000	0x7FFF_FFFF		Reserved
0x8000_0000	0x8000_7FFF	RW X	TIM 0 (32 KiB)
0x8000_8000	0x8000_FFFF	RW X	TIM 1 (32 KiB)
0x8001_0000	0xFFFF_FFFF		Reserved

Table 3: S21 Memory Map. Memory Attributes: **R** - Read, **W** - Write, **X** - Execute, **C** - Cacheable, **A** - Atomics

Chapter 5

Interrupts

This chapter describes how interrupt concepts in the RISC-V architecture apply to the S21.

Specifically the S21 implements the *RISC-V Core-Local Interrupt Controller (CLIC) specification, Version 20180831*. The CLIC represents a new RISC-V interrupt specification which differs from the *The RISC-V Instruction Set Manual, Volume II: Privileged Architecture, Version 1.10*. As of June 2018, the CLIC is currently a RISC-V draft proposal of the RISC-V foundation's Fast Interrupts Task Group. Future versions of this core may implement later versions of the CLIC specification.

5.1 Interrupt Concepts

The S21 supports Machine Mode interrupts. It also has support for the following types of RISC-V interrupts: local and global.

Local interrupts are signaled directly to an individual hart with a dedicated interrupt value. This allows for reduced interrupt latency as no arbitration is required to determine which hart will service a given request and no additional memory accesses are required to determine the cause of the interrupt.

The S21 has 127 interrupts which are delivered to the core via the Core-Local Interrupt Controller (CLIC) along with the software and timer interrupts.

Global interrupts, by contrast, are routed through a Platform-Level Interrupt Controller (PLIC), which can direct interrupts to any hart in the system via the external interrupt. Decoupling global interrupts from the hart(s) allows the design of the PLIC to be tailored to the platform, permitting a broad range of attributes like the number of interrupts and the prioritization and routing schemes.

This chapter describes the S21 interrupt architecture.

Chapter 6 describes the Core-Local Interrupt Controller (CLIC).

The S21 does not implement a PLIC. Instead a Machine External Interrupt input signal is exposed at the boundary of the Core Complex which can be connected to a PLIC in a larger design.

The S21 interrupt architecture is depicted in Figure 2.

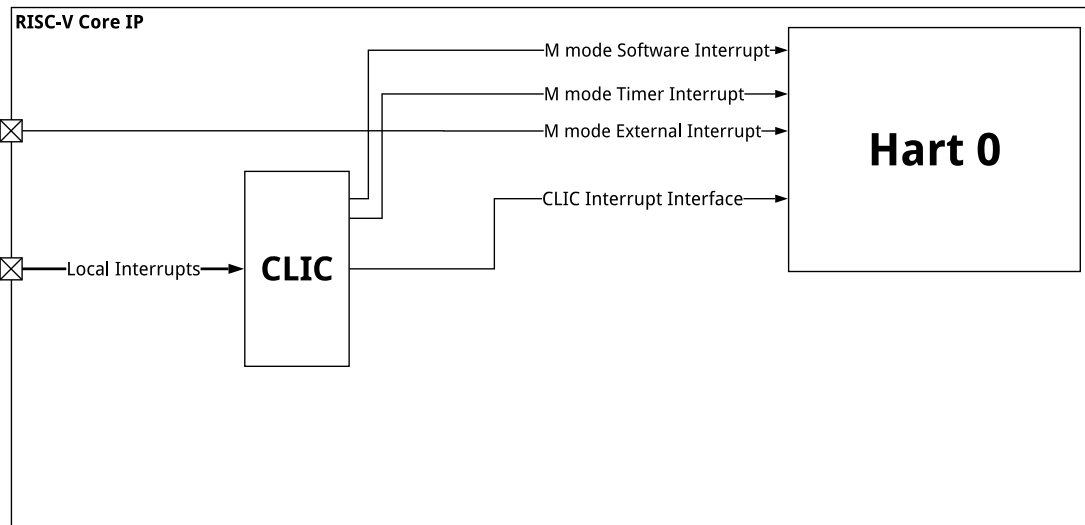


Figure 2: S21 Interrupt Architecture Block Diagram.

5.2 Interrupt Operation

If the global interrupt-enable `mstatus.MIE` is clear, then no interrupts will be taken. If `mstatus.MIE` is set, then pending-enabled interrupts at a higher interrupt level will preempt current execution and run the interrupt handler for the higher interrupt level.

When an interrupt or synchronous exception is taken, the privilege mode and interrupt level are modified to reflect the new privilege mode and interrupt level. The global interrupt-enable bit of the handler's privilege mode is cleared.

5.2.1 Interrupt Entry and Exit

When an interrupt occurs:

- The value of `mstatus.MIE` is copied into `mcause.MPIE`, and then `mstatus.MIE` is cleared, effectively disabling interrupts.
- When in CLIC mode, the interrupted interrupt level is copied into `mcause.MPIL`, and the interrupt level is set to that of the incoming interrupt as defined in its `clicintcfg` register.
- The privilege mode prior to the interrupt is encoded in `mstatus.MPP`.
- The current `pc` is copied into the `mepc` register, and then `pc` is set to the value specified by `mtvec` as defined by the `mtvec.MODE` described in Table 6.

At this point, control is handed over to software in the interrupt handler with interrupts disabled. Interrupts can be re-enabled by explicitly setting `mstatus.MIE` or by executing an MRET instruction to exit the handler. When an MRET instruction is executed, the following occurs:

- The privilege mode is set to the value encoded in `mstatus.MPP`.
- When in CLIC mode, the interrupt level is set to the value encoded in `mcause.MPIL`.
- The global interrupt enable, `mstatus.MIE`, is set to the value of `mcause.MPIE`.
- The `pc` is set to the value of `mepc`.

At this point control is handed over to software.

The Control and Status Registers involved in handling RISC-V interrupts are described in Section 5.3.

5.2.2 Interrupt Levels and Priorities

At any time, a hart is running in some privilege mode with some interrupt level. The hart's current interrupt level is made visible in the `mintstatus` register (Section 5.3.8), however, the current privilege mode is not visible to software running on a hart.

The CLIC architecture supports pre-emption of up to 256 interrupt levels for each privilege mode, where higher-numbered interrupt levels can preempt lower-numbered interrupt levels. Interrupt level 0 corresponds to regular execution outside of an interrupt handler. The CLIC also supports programmable priorities within a given level which are used to prioritize among interrupts pending-and-enabled at the same interrupt level. The highest-priority interrupt at a given interrupt level is taken first. In case there are multiple pending-and-enabled interrupts at the same highest priority, the highest-numbered interrupt ID is taken first.

The number of available pre-emption levels, and priorities within each level, is determined by the number of configuration bits in the CLIC's `clicintcfg` register and the value of the CLIC's `cliccfg.nlbits` register.

See Section 6.3.3 and Section 6.3.4 for details of the S21 `clicintcfg` implementation and `cliccfg` registers respectively.

5.2.3 Critical Sections in Interrupt Handlers

To implement a critical section between interrupt handlers at different levels, an interrupt handler at any interrupt level can clear global interrupt-enable bit, `mstatus.MIE`, to prevent interrupts from being taken.

5.3 Interrupt Control Status Registers

The S21 specific implementation of interrupt CSRs is described below. For a complete description of RISC-V interrupt behavior and how to access CSRs, please consult *The RISC-V Instruction Set Manual, Volume II: Privileged Architecture, Version 1.10* and the *RISC-V Core-Local Interrupt Controller (CLIC) specification, Version 20180831*.

5.3.1 Machine Status Register (mstatus)

The mstatus register keeps track of and controls the hart's current operating state, including whether or not interrupts are enabled. A summary of the mstatus fields related to interrupts in the S21 is provided in Table 4. Note that this is not a complete description of mstatus as it contains fields unrelated to interrupts. For the full description of mstatus, please consult *The RISC-V Instruction Set Manual, Volume II: Privileged Architecture, Version 1.10*.

Machine Status Register			
CSR	mstatus		
Bits	Field Name	Attr.	Description
[2:0]	Reserved	WPRI	
3	MIE	RW	Machine Interrupt Enable
[6:4]	Reserved	WPRI	
7	MPIE	RW	Machine Previous Interrupt Enable
[10:8]	Reserved	WPRI	
[12:11]	MPP	RW	Machine Previous Privilege Mode

Table 4: S21 mstatus Register (partial)

Interrupts are enabled by setting the MIE bit in mstatus and by enabling the desired individual interrupt in the mie register, described in Section 5.3.3.

Note that when operating in CLIC mode, mstatus.MPP and mstatus.MPIE are accessible in the mcause register described in Section 5.3.5.

5.3.2 Machine Trap Vector (mtvec)

The mtvec register has two main functions: defining the base address of the trap vector, and setting the mode by which the S21 will process interrupts. The interrupt processing mode is defined in the lower two bits of the mtvec register as described in Table 6.

Machine Trap Vector Register			
CSR	mtvec		
Bits	Field Name	Attr.	Description
[1:0]	MODE	WARL	MODE Sets the interrupt processing mode. The encoding for the S21 supported modes is described in Table 6.
[63:2]	BASE[63:2]	WARL	Interrupt Vector Base Address. Requires 64-byte alignment.

Table 5: mtvec Register

MODE Field Encoding mtvec.MODE		
Value	Name	Description
0x0	Direct	All exceptions set pc to BASE
0x1	Vectored	Asynchronous interrupts set pc to $BASE + 4 \times mcause.EXCCODE$.
0x2	CLIC Direct	All exceptions set pc to BASE.
0x3	CLIC Vectored	Asynchronous interrupts set pc to the address in the vector table located at $mtvt + 4 \times mcause.EXCCODE$

Table 6: Encoding of mtvec.MODE

Note that when in either of the non-CLIC modes, the only interrupts that can be serviced are the architecturally defined software, timer, and external interrupts.

See Table 5 for a description of the mtvec register. See Table 6 for a description of the mtvec.MODE field. See Table 10 for the S21 interrupt exception code values.

Mode Direct

When operating in direct mode all synchronous exceptions and asynchronous interrupts trap to the mtvec.BASE address. Inside the trap handler, software must read the mcause register to determine what triggered the trap.

Mode Vectored

While operating in vectored mode, interrupts set the pc to $mtvec.BASE + 4 \times$ exception code (mcause.EXCCODE). For example, if a machine timer interrupt is taken, the pc is set to $mtvec.BASE + 0x1C$. Typically, the trap vector table is populated with jump instructions to transfer control to interrupt-specific trap handlers.

In vectored interrupt mode, BASE must be 64-byte aligned.

All machine external interrupts (global interrupts) are mapped to exception code of 11. Thus, when interrupt vectoring is enabled, the pc is set to address $mtvec.BASE + 0x2C$ for any global interrupt.

Mode CLIC Direct

In CLIC Direct mode the processor jumps to the 64-byte-aligned trap handler address held in the upper XLEN-6 bits of `mtvec` for all exceptions and interrupts.

In CLIC interrupt mode, `BASE` must be 64-byte aligned.

Mode CLIC Vectored

In vectored CLIC mode, on an interrupt, the processor switches to the handler's privilege mode and sets the hardware vectoring bit `mcause.MINH.V`, then fetches an XLEN-bit handler address from the in-memory vector table pointed to by `mtvt` described in Section 5.3.6. The address fetched is defined in the following formula:

$$mtvt + 8 \times mcause.EXCCODE.$$

If the fetch is successful, the processor clears the low bit of the handler address, sets the PC to this handler address, then clears `mcause.MINH.V`. The hardware vectoring bit `minhv` is provided to allow resumable traps on fetches to the trap vector table.

Synchronous exceptions always trap to `mtvec.BASE` in machine mode.

5.3.3 Machine Interrupt Enable (`mie`)

Individual interrupts are enabled by setting the appropriate bit in the `mie` register. The `mie` register is described in Table 7.

Machine Interrupt Enable Register			
CSR	mie		
Bits	Field Name	Attr.	Description
[2:0]	Reserved	WPRI	
3	MSIE	RW	Machine Software Interrupt Enable
[6:4]	Reserved	WPRI	
7	MTIE	RW	Machine Timer Interrupt Enable
[10:8]	Reserved	WPRI	
11	MEIE	RW	Machine External Interrupt Enable
[63:12]	Reserved	WPRI	

Table 7: `mie` Register

When in either of the CLIC modes, the `mie` register is hardwired to zero and individual interrupt enables are controlled by the `clpicintie[i]` CLIC memory-mapped registers. See Chapter 6 for a detailed description of `clpicintie`.

5.3.4 Machine Interrupt Pending (mip)

The machine interrupt pending (mip) register indicates which interrupts are currently pending. The mip register is described in Table 8.

Machine Interrupt Pending Register			
CSR	mip		
Bits	Field Name	Attr.	Description
[2:0]	Reserved	WIRI	
3	MSIP	RO	Machine Software Interrupt Pending
[6:4]	Reserved	WIRI	
7	MTIP	RO	Machine Timer Interrupt Pending
[10:8]	Reserved	WIRI	
11	MEIP	RO	Machine External Interrupt Pending
[63:12]	Reserved	WIRI	

Table 8: mip Register

In CLIC mode, the mip register is hardwired to zero and individual interrupt enables are controlled by the clicintip[i] CLIC memory-mapped registers. See Chapter 6 for a detailed description of clicintip.

5.3.5 Machine Cause (mcause)

When a trap is taken in machine mode, mcause is written with a code indicating the event that caused the trap. When the event that caused the trap is an interrupt, the most-significant bit of mcause is set to 1, and the least-significant bits indicate the interrupt number, using the same encoding as the bit positions in mip. For example, a Machine Timer Interrupt causes mcause to be set to 0x8000_0000_0000_0007. mcause is also used to indicate the cause of synchronous exceptions, in which case the most-significant bit of mcause is set to 0.

When in either of the CLIC modes, mcause is extended to record more information about the interrupted context which is used to reduce the overhead to save and restore that context for an mret instruction. CLIC mode mcause also adds state to record progress through the trap handling process.

See Table 9 for more details about the mcause register. Refer to Table 10 for a list of synchronous exception codes.

Machine Cause Register			
CSR	mcause		
Bits	Field Name	Attr.	Description
[9:0]	Exception Code	WLRL	A code identifying the last exception.
[22:10]	Reserved	WLRL	
23	mpie	WLRL	Previous interrupt enable, same as <code>mstatus.mpie</code> . CLIC mode only.
[27:24]	mpil	WLRL	Previous interrupt level. CLIC mode only.
[29:28]	mpp	WLRL	Previous interrupt privilege mode, same as <code>mstatus.mpp</code> . CLIC mode only.
30	minhv	WIRL	Hardware vectoring in progress when set. CLIC mode only.
[62:31]	Reserved	WLRL	
63	Interrupt	WARL	1 if the trap was caused by an interrupt; 0 otherwise.

Table 9: mcause Register

Interrupt Exception Codes		
Interrupt	Exception Code	Description
1	0–2	Reserved
1	3	Machine software interrupt
1	4–6	Reserved
1	7	Machine timer interrupt
1	8–10	Reserved
1	11	Machine external interrupt
1	12	CLIC Software Interrupt Pending (CSIP)
1	13–15	Reserved
1	16	CLIC Local Interrupt 0
1	17	CLIC Local Interrupt 1
1	18–126	...
1	143	CLIC Local Interrupt 127
0	0	Instruction address misaligned
0	1	Instruction access fault
0	2	Illegal instruction
0	3	Breakpoint
0	4	Load address misaligned
0	5	Load access fault
0	6	Store/AMO address misaligned
0	7	Store/AMO access fault
0	8	Environment call from U-mode
0	9–10	Reserved
0	11	Environment call from M-mode
0	≥ 12	Reserved

Table 10: mcause Exception Codes

5.3.6 Machine Trap Vector Table (mtvt)

The `mtvt` register holds the base address of the trap vector table. `mtvt` must be 64-byte aligned and values other than 0 in the low 6 bits of `mtvt` are reserved.

Machine Trap Vector Table Register			
CSR	mtvt		
Bits	Field Name	Attr.	Description
[63:6]	Base	WARL	Base address of the CLIC Vector Table
[5:0]	Reserved	WARL	

Table 11: `mtvt` Register

```
# Vector table layout for RV64 (8-byte function pointers)
mtvt -> 0x800000 # Interrupt 0 handler function pointer
        0x800008 # Interrupt 1 handler function pointer
        0x800010 # Interrupt 2 handler function pointer
        0x800018 # Interrupt 3 handler function pointer
```

5.3.7 Handler Address and Interrupt-Enable (`mnxti`)

The `mnxti` CSR can be used by software to service the next horizontal interrupt when it has greater level than the saved interrupt context (held in `mcause.PIL`), without incurring the full cost of an interrupt pipeline flush and context save/restore. The `mnxti` CSR is designed to be accessed using `CSRRSI/CSRRCI` instructions, where the value read is a pointer to an entry in the trap handler table and the write back updates the interrupt-enable status. In addition, accesses to the `mnxti` register have side-effects that update the interrupt context state.

Note that this is different than a regular CSR instruction as the value returned is different from the value used in the read-modify-write operation.

A read of the `mnxti` CSR returns either zero, indicating there is no suitable interrupt to service, or the address of the entry in the trap handler table for software trap vectoring.

If the CSR instruction that accesses `mnxti` includes a write, the `mstatus` CSR is the one used for the read-modify-write portion of the operation, while the exception code in `mcause` and the `mintstatus` register's `mi1` field can also be updated with the new interrupt level. If the CSR instruction does not include write side effects (e.g., `csrr t0, mnxti`), then no state update on any CSR occurs.

The `mnxti` CSR is intended to be used inside an interrupt handler after an initial interrupt has been taken and `mcause` and `mepc` registers updated with the interrupted context and the id of the interrupt.

5.3.8 Machine Interrupt Status (`mintstatus`)

A new M-mode CSR, `mintstatus`, holds the active interrupt level for each supported privilege mode. These fields are read-only. The primary reason to expose these fields is to support debug.

Machine Interrupt Status Register			
CSR	mintstatus		
Bits	Field Name	Attr.	Description
[23:0]	Reserved	WIRI	
[31:24]	mil	WIRL	Active Machine Mode Interrupt Level
[63:13]	Reserved	WIRI	

Table 12: S21 `mintstatus` Register

5.4 Interrupt Latency

Interrupt latency for the S21 is 6 cycles, as counted by the numbers of cycles it takes from signaling of the interrupt to the hart to the first instruction fetch of the handler.

Chapter 6

Core-Local Interrupt Controller (CLIC)

This chapter describes the operation of the Core-Local Interrupt Controller (CLIC). The S21 implements *RISC-V Core-Local Interrupt Controller (CLIC) specification, Version 20180831*

6.1 Interrupt Sources

The S21 has 127 interrupt sources which can be connected to peripheral devices in addition to the standard RISC-V software and timer interrupts. These interrupt inputs are exposed at the top level via the `local_interrupts` signals. Any unused `local_interrupts` inputs should be tied to logic 0. These signals are positive-level triggered.

The S21 does not include a PLIC which is used to signal External Interrupts. A `machine_external_interrupt` signal is exposed at the top level which can be used to integrate the S21 with an external PLIC.

CLIC Interrupt IDs are provided in the in Table 13.

S21 Interrupt IDs		
ID	Interrupt	Notes
2 - 0	Reserved	
3	msip	Machine Software Interrupt
6 - 4	Reserved	
7	mtip	Machine Timer Interrupt
10 - 8	Reserved	
11	meip	Machine External Interrupt
12	csip	CLIC Software Interrupt
15 - 13	Reserved	
16	lint0	Local Interrupt 0
17	lint1	Local Interrupt 1
...	lintX	Local Interrupt X
143	lint127	Local Interrupt 127

Table 13: S21 Interrupt IDs

6.2 CLIC Memory Map

The CLIC memory map is separated into multiple regions depending on the number of harts which implement a CLIC; one shared region, and hart specific regions. This allows for backwards compatibility with the Core Local Interruptor (CLINT) and its `msip`, `mtimecmp`, and `mtime` memory-mapped registers as well as compatibility between CLIC and non-CLIC harts. The base address for all regions are provided below in Table 14.

Base Address for CLIC regions		
Address	Region	Notes
0x0200_0000	Shared	RISC-V Standard CLINT Base. The specific implementation of this region is described in detail in Table 15.
0x0280_0000	Hart 0	Hart 0 CLIC Base. The specific implementation of this region is described in detail in Table 16.

Table 14: CLIC Base Address

CLIC Shared Region				
Offset	Width	Attr.	Description	Notes
0x0	4B	RW	<code>msip</code> for hart 0	MSIP Registers (1 bit wide)
0x4008			Reserved	
...				
0xbff7				
0x4000	8B	RW	<code>mtimecmp</code> for hart 0	MTIMECMP Registers
0x4008			Reserved	
...				
0xbff7				
0xbff8	8B	RW	<code>mtime</code>	Timer Register
0xc000			Reserved	

Table 15: CLIC Shared Register Map

CLIC Hart Specific Region			
Offset	Width	Name	Notes
0x000	1B per interrupt-id	CLICINTIP	CLIC Interrupt Pending Registers
0x400	1B per interrupt-id	CLICINTIE	CLIC Interrupt Enable Registers
0x800	1B per interrupt-id	CLICINTCFG	CLIC Interrupt Configuration Registers
0xc00	1B	CLICCFG	CLIC Configuration Register

Table 16: CLIC Hart Specific Region Map

6.3 Registers

This section will describe the functionality of the CLIC's registers.

6.3.1 CLIC Interrupt Pending (clicintip)

CLIC Interrupt Pending				
Address	CLIC Hart Base + 1×Interrupt ID			
Bits	Field Name	Attr.	RST.	Description
0	clicintip	RO*	0	When clicintip is set, the corresponding Interrupt ID is pending. Only the SW interrupt bits are writable. For all other interrupts these are read-only registers connected directly to input pins or logic.
[7:1]	Reserved	RO	0	
*clicintip bits for msip (Interrupt ID 3) and csip (Interrupt ID 12) are RW registers which enables software to set these interrupts to pending.				

Table 17: clicintip Register

When in CLIC mode, the Machine Interrupt Pending (mip) CSR is hardwired to zero and interrupt pending status is instead presented in the clicintip memory-mapped registers.

6.3.2 CLIC Interrupt Enable (clicintie)

CLIC Interrupt Enable				
Address	CLIC Hart Base + 0x400 + 1×Interrupt ID			
Bits	Field Name	Attr.	RST.	Description
0	clicintie	RW	0	When clicintie is set, the corresponding Interrupt ID is enabled
[7:1]	Reserved	RO	0	

Table 18: clicintie Register

When in CLIC mode, the Machine Interrupt Enable (mie) CSR is hardwired to zero and interrupt enables are instead presented in the clicintie memory-mapped registers.

6.3.3 CLIC Interrupt Configuration (clicintcfg)

CLIC Interrupt Configuration				
Address	CLIC Hart Base + 0x800 + 1×Interrupt ID			
Bits	Field Name	Attr.	RST.	Description
[3:0]	Reserved	RO	0	
[7: 4]	clicintcfg	RW	0	clicintcfg sets the pre-emption level and priority of a given interrupt.

Table 19: clicintcfg Register

The S21 has a total of 4 bits in `clicintcfg` which specify how to encode a given interrupt's pre-emption level and/or priority. The actual number of bits which determine the pre-emption level is determined by `cliccfg.NLBITS`. If `cliccfg.NLBITS` is < 4, then the remaining least significant implemented bits are used to encode priorities within a given pre-emption level. If `cliccfg.NLBITS` is set to zero, then all interrupts are treated as level 255 and all 4 bits are used to set priorities.

See Section 5.2.2 for a description of CLIC levels and priorities.

6.3.4 CLIC Configuration (`cliccfg`)

CLIC Configuration				
Address	CLIC Hart Base + 0xC00			
Bits	Field Name	Attr.	RST.	Description
[0]	<code>nvbits</code>	RW	0	When set, selective hardware vectoring is enabled.
[4:1]	<code>nlbits</code>	RW	0	Determines the number of Level bits available in <code>clicintcfg</code>
[6:5]	<code>nmbits</code>	RO	0	Determines the number Mode bits available in <code>clicintcfg</code> .
[7]	Reserved	WARL	0	

Table 20: `cliccfg` Register

The `cliccfg` register is used to configure the operation of the CLIC primarily by determining the function of the bits implemented in `clicintcfg` bits. The S21 only supports Machine Mode interrupts, therefore `cliccfg.NMBITS` is set to zero.

`cliccfg.NLBITS` is used to determine the number of `clicintcfg` bits used for levels vs priorities. The CLIC supports a maximum of 256 pre-emption levels which requires 8 bits to encode all 256 levels. For values of `cliccfg.NLBITS` < 8, the lower bits are assumed to be all 1s. The resulting encoding of `cliccfg.NLBITS` to interrupt levels is shown below.

#NLBITS	encoding	interrupt levels
0	1111	255
1	x111	127, 255
2	xx11	63, 127, 191, 255
3	xxx1	31, 63, 95, 127, 159, 191, 223, 255
4	xxxx	15, 31, 47, 63, 79, 95, 111, 127, 143, 159, 175, 191, 207, 223, 239, 255

x bits are available `clicintcfg` bits

See Section 6.3.3 for a description of the effects of `cliccfg.NLBITS` on `clicintcfg`.

`cliccfg.NVBITS` allows for certain, selected, interrupts to be vectored while in the CLIC's Direct mode. If in CLIC Direct mode and `cliccfg.NVBITS` = 1, then selective interrupt vectoring is turned on. The least-significant implemented bit of `clicintcfg` (bit 4 in S21) controls the vectoring behavior of a given interrupt. When in CLIC Direct mode, and both `cliccfg.NVBITS` and

the relevant bit of `clintcfg` are set to 1, then the interrupt is vectored using the vector table pointed to by the `mtvt` CSR. This allows some interrupts to all jump to a common base address held in `mtvec`, while the others are vectored in hardware.

Chapter 7

Debug

This chapter describes the operation of SiFive debug hardware, which follows *The RISC-V Debug Specification, Version 0.13*. Currently only interactive debug and hardware breakpoints are supported.

7.1 Debug CSRs

This section describes the per-hart trace and debug registers (TDRs), which are mapped into the CSR space as follows:

CSR Name	Description	Allowed Access Modes
tselect	Trace and debug register select	D, M
tdata1	First field of selected TDR	D, M
tdata2	Second field of selected TDR	D, M
tdata3	Third field of selected TDR	D, M
dcsr	Debug control and status register	D
dpc	Debug PC	D
dscratch	Debug scratch register	D

Table 21: Debug Control and Status Registers

The dcsr, dpc, and dscratch registers are only accessible in debug mode, while the tselect and tdata1-3 registers are accessible from either debug mode or machine mode.

7.1.1 Trace and Debug Register Select (tselect)

To support a large and variable number of TDRs for tracing and breakpoints, they are accessed through one level of indirection where the tselect register selects which bank of three tdata1-3 registers are accessed via the other three addresses.

The tselect register has the format shown below:

Trace and Debug Select Register			
CSR	tselect		
Bits	Field Name	Attr.	Description
[31:0]	index	WARL	Selection index of trace and debug registers

Table 22: tselect CSR

The index field is a **WARL** field that does not hold indices of unimplemented TDRs. Even if index can hold a TDR index, it does not guarantee the TDR exists. The type field of tdata1 must be inspected to determine whether the TDR exists.

7.1.2 Trace and Debug Data Registers (tdata1-3)

The tdata1-3 registers are XLEN-bit read/write registers selected from a larger underlying bank of TDR registers by the tselect register.

Trace and Debug Data Register 1			
CSR	tdata1		
Bits	Field Name	Attr.	Description
[27:0]	TDR-Specific Data		
[31:28]	type	RO	Type of the trace & debug register selected by tselect

Table 23: tdata1 CSR

Trace and Debug Data Registers 2 and 3			
CSR	tdata2/3		
Bits	Field Name	Attr.	Description
[31:0]	TDR-Specific Data		

Table 24: tdata2/3 CSRs

The high nibble of tdata1 contains a 4-bit type code that is used to identify the type of TDR selected by tselect. The currently defined types are shown below:

Type	Description
0	No such TDR register
1	Reserved
2	Address/Data Match Trigger
≥ 3	Reserved

Table 25: tdata Types

The dmode bit selects between debug mode (dmode=0) and machine mode (dmode=1) views of the registers, where only debug mode code can access the debug mode view of the TDRs. Any

attempt to read/write the `tdata1-3` registers in machine mode when `dmode=1` raises an illegal instruction exception.

7.1.3 Debug Control and Status Register (`dcsr`)

This register gives information about debug capabilities and status. Its detailed functionality is described in *The RISC-V Debug Specification, Version 0.13*.

7.1.4 Debug PC (`dpc`)

When entering debug mode, the current PC is copied here. When leaving debug mode, execution resumes at this PC.

7.1.5 Debug Scratch (`dscratch`)

This register is generally reserved for use by Debug ROM in order to save registers needed by the code in Debug ROM. The debugger may use it as described in *The RISC-V Debug Specification, Version 0.13*.

7.2 Breakpoints

The S21 supports four hardware breakpoint registers per hart, which can be flexibly shared between debug mode and machine mode.

When a breakpoint register is selected with `tselect`, the other CSRs access the following information for the selected breakpoint:

CSR Name	Breakpoint Alias	Description
<code>tselect</code>	<code>tselect</code>	Breakpoint selection index
<code>tdata1</code>	<code>mcontrol</code>	Breakpoint match control
<code>tdata2</code>	<code>maddress</code>	Breakpoint match address
<code>tdata3</code>	N/A	Reserved

Table 26: TDR CSRs when used as Breakpoints

7.2.1 Breakpoint Match Control Register (`mcontrol`)

Each breakpoint control register is a read/write register laid out in Table 27.

Breakpoint Control Register (mcontrol)				
Register Offset		CSR		
Bits	Field Name	Attr.	Rst.	Description
0	R	WARL	X	Address match on LOAD
1	W	WARL	X	Address match on STORE
2	X	WARL	X	Address match on Instruction FETCH
3	U	WARL	X	Address match on User Mode
4	S	WARL	X	Address match on Supervisor Mode
5	Reserved	WPRI	X	Reserved
6	M	WARL	X	Address match on Machine Mode
[10:7]	match	WARL	X	Breakpoint Address Match type
11	chain	WARL	0	Chain adjacent conditions.
[15:12]	action	WARL	0	Breakpoint action to take.
[17:16]	szelo	WARL	0	Size of the breakpoint. Always 0.
18	timing	WARL	0	Timing of the breakpoint. Always 0.
19	select	WARL	0	Perform match on address or data. Always 0.
20	Reserved	WPRI	X	Reserved
[26:21]	maskmax	RO	4	Largest supported NAPOT range
27	dmode	RW	0	Debug-Only access mode
[31:28]	type	RO	2	Address/Data match type, always 2

Table 27: Test and Debug Data Register 3

The type field is a 4-bit read-only field holding the value 2 to indicate this is a breakpoint containing address match logic.

The action field is a 4-bit read-write **WARL** field that specifies the available actions when the address match is successful. The value 0 generates a breakpoint exception. The value 1 enters debug mode. Other actions are not implemented.

The R/W/X bits are individual **WARL** fields, and if set, indicate an address match should only be successful for loads/stores/instruction fetches, respectively, and all combinations of implemented bits must be supported.

The M/S/U bits are individual **WARL** fields, and if set, indicate that an address match should only be successful in the machine/supervisor/user modes, respectively, and all combinations of implemented bits must be supported.

The match field is a 4-bit read-write **WARL** field that encodes the type of address range for breakpoint address matching. Three different match settings are currently supported: exact, NAPOT, and arbitrary range. A single breakpoint register supports both exact address matches and matches with address ranges that are naturally aligned powers-of-two (NAPOT) in size. Breakpoint registers can be paired to specify arbitrary exact ranges, with the lower-numbered breakpoint register giving the byte address at the bottom of the range and the higher-numbered

breakpoint register giving the address 1 byte above the breakpoint range, and using the `chain` bit to indicate both must match for the action to be taken.

NAPOT ranges make use of low-order bits of the associated breakpoint address register to encode the size of the range as follows:

maddress	Match type and size
a...aaaaaa	Exact 1 byte
a...aaaaa0	2-byte NAPOT range
a...aaaa01	4-byte NAPOT range
a...aaa011	8-byte NAPOT range
a...aa0111	16-byte NAPOT range
a...a01111	32-byte NAPOT range
...	...
a01...1111	2^{31} -byte NAPOT range

Table 28: NAPOT Size Encoding

The `maskmax` field is a 6-bit read-only field that specifies the largest supported NAPOT range. The value is the logarithm base 2 of the number of bytes in the largest supported NAPOT range. A value of 0 indicates that only exact address matches are supported (1-byte range). A value of 31 corresponds to the maximum NAPOT range, which is 2^{31} bytes in size. The largest range is encoded in `maddress` with the 30 least-significant bits set to 1, bit 30 set to 0, and bit 31 holding the only address bit considered in the address comparison.

To provide breakpoints on an exact range, two neighboring breakpoints can be combined with the `chain` bit. The first breakpoint can be set to match on an address using `action` of 2 (greater than or equal). The second breakpoint can be set to match on address using `action` of 3 (less than). Setting the `chain` bit on the first breakpoint prevents the second breakpoint from firing unless they both match.

7.2.2 Breakpoint Match Address Register (`maddress`)

Each breakpoint match address register is an XLEN-bit read/write register used to hold significant address bits for address matching and also the unary-encoded address masking information for NAPOT ranges.

7.2.3 Breakpoint Execution

Breakpoint traps are taken precisely. Implementations that emulate misaligned accesses in software will generate a breakpoint trap when either half of the emulated access falls within the address range. Implementations that support misaligned accesses in hardware must trap if any byte of an access falls within the matching range.

Debug-mode breakpoint traps jump to the debug trap vector without altering machine-mode registers.

Machine-mode breakpoint traps jump to the exception vector with "Breakpoint" set in the `mcause` register and with `badaddr` holding the instruction or data address that caused the trap.

7.2.4 Sharing Breakpoints Between Debug and Machine Mode

When debug mode uses a breakpoint register, it is no longer visible to machine mode (that is, the `tdrtype` will be 0). Typically, a debugger will leave the breakpoints alone until it needs them, either because a user explicitly requested one or because the user is debugging code in ROM.

7.3 Debug Memory Map

This section describes the debug module's memory map when accessed via the regular system interconnect. The debug module is only accessible to debug code running in debug mode on a hart (or via a debug transport module).

7.3.1 Debug RAM and Program Buffer (0x300–0x3FF)

The S21 has two 32-bit words of program buffer for the debugger to direct a hart to execute arbitrary RISC-V code. Its location in memory can be determined by executing `aiupc` instructions and storing the result into the program buffer.

The S21 has two 32-bit words of debug data RAM. Its location can be determined by reading the `DMHARTINFO` register as described in the RISC-V Debug Specification. This RAM space is used to pass data for the Access Register abstract command described in the RISC-V Debug Specification. The S21 supports only general-purpose register access when harts are halted. All other commands must be implemented by executing from the debug program buffer.

In the S21, both the program buffer and debug data RAM are general-purpose RAM and are mapped contiguously in the Core Complex memory space. Therefore, additional data can be passed in the program buffer, and additional instructions can be stored in the debug data RAM.

Debuggers must not execute program buffer programs that access any debug module memory except defined program buffer and debug data addresses.

The S21 does not implement the `DMSTATUS.anyhavereset` or `DMSTATUS.allhavereset` bits.

7.3.2 Debug ROM (0x800–0xFFF)

This ROM region holds the debug routines on SiFive systems. The actual total size may vary between implementations.

7.3.3 Debug Flags (0x100–0x110, 0x400–0x7FF)

The flag registers in the debug module are used for the debug module to communicate with each hart. These flags are set and read used by the debug ROM and should not be accessed by any program buffer code. The specific behavior of the flags is not further documented here.

7.3.4 Safe Zero Address

In the S21, the debug module contains the addresses 0x0 through 0xFFF in the memory map. Memory accesses to these addresses raise access exceptions, unless the hart is in debug mode. This property allows a "safe" location for unprogrammed parts, as the default mtvec location is 0x0.

7.4 Debug Module Interface

The SiFive Debug Module (DM) conforms to *The RISC-V Debug Specification, Version 0.13*. A debug probe or agent connects to the Debug Module through the Debug Module Interface (DMI). The following sections describe notable spec options used in the implementation and should be read in conjunction with the RISC-V Debug Specification.

7.4.1 DM Registers

dmstatus register

dmstatus holds the DM version number and other implementation information. Most importantly, it contains status bits that indicate the current state of the selected hart(s).

dmcontrol register

A debugger performs most hart control through the dmcontrol register.

Control	Function
dmactive	This bit enables the DM and is reflected in the dmactive output signal. When dmactive=0, the clock to the DM is gated off.
ndmreset	This is a read/write bit that drives the ndreset output signal.
resethaltreq	When set, the DM will halt the hart when it emerges from reset.
hartreset	Not Supported
hartsel	This field selects the hart to operate on
hase1	When set, additional hart(s) in the hart array mask register are selected in addition to the one selected by hartsel.

Table 29: Debug Control Register

hawindow register

This register contains a bitmap where bit 0 corresponds to hart 0, bit 1 to hart 1, etc. Any bits set in this register select the corresponding hart in addition to the hart selected by `hartsel`.

7.4.2 Abstract Commands

Abstract commands provide a debugger with a path to read and write processor state. Many aspects of Abstract Commands are optional in the RISC-V Debug Spec and are implemented as described below.

Cmdtype	Feature	Support
Access Register	GPR registers	Access Register command, register number 0x1000 - 0x101f
	CSR registers	Not supported. CSRs are accessed using the Program Buffer.
	FPU registers	Not supported. FPU registers are accessed using the Program Buffer.
	Autoexec	Both <code>autoexecprogbuf</code> and <code>autoexecdata</code> are supported.
	Post-increment	Not supported.
Quick Access		Not supported.
Access Memory		Not supported. Memory access is accomplished using the Program Buffer.

Table 30: Debug Abstract Commands

Chapter 8

References

Visit the SiFive forums for support and answers to frequently asked questions:
<https://forums.sifive.com>

[1] A. Waterman and K. Asanovic, Eds., The RISC-V Instruction Set Manual, Volume I: User-Level ISA, Version 2.2, June 2019. [Online]. Available: <https://riscv.org/specifications/>

[2] —, The RISC-V Instruction Set Manual Volume II: Privileged Architecture Version 1.11, June 2019. [Online]. Available: <https://riscv.org/specifications/privileged-isa>

[3] K. Asanovic, Eds., SiFive Proposal for a RISC-V Core-Local Interrupt Controller (CLIC). [Online]. Available: <https://github.com/sifive/clic-spec>